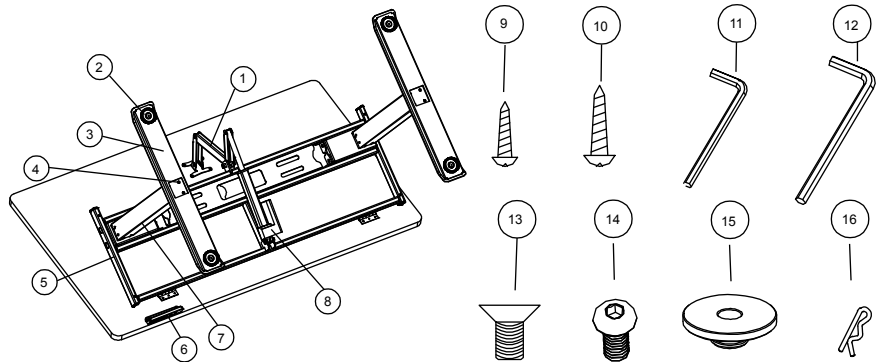
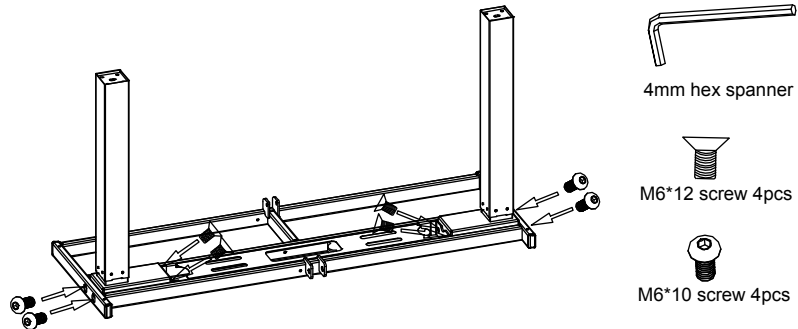


Assembly Instructions

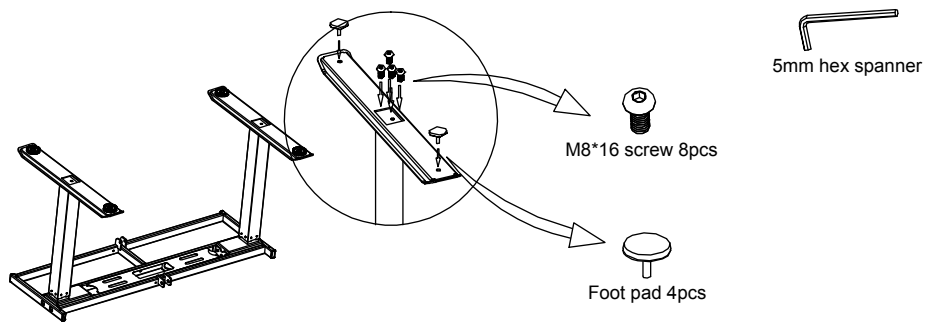
No.	Name	Qty.	No.	Name	Qty.
1	Bracket	1	10	ST4.8*19 screw	10
2	Foot pad	4	11	4mm hex spanner	1
3	Foot	2	12	5mm hex spanner	1
4	M8*16 screw	8	13	M6*12 screw	4
5	Crossbeam	1	14	M6*10 screw	4
6	Handset	1	15	Rubber cushion	4
7	Leg	2	16	Cotter pin	2
8	Motor	1	17		
9	ST3.5*19 screw	2	18		



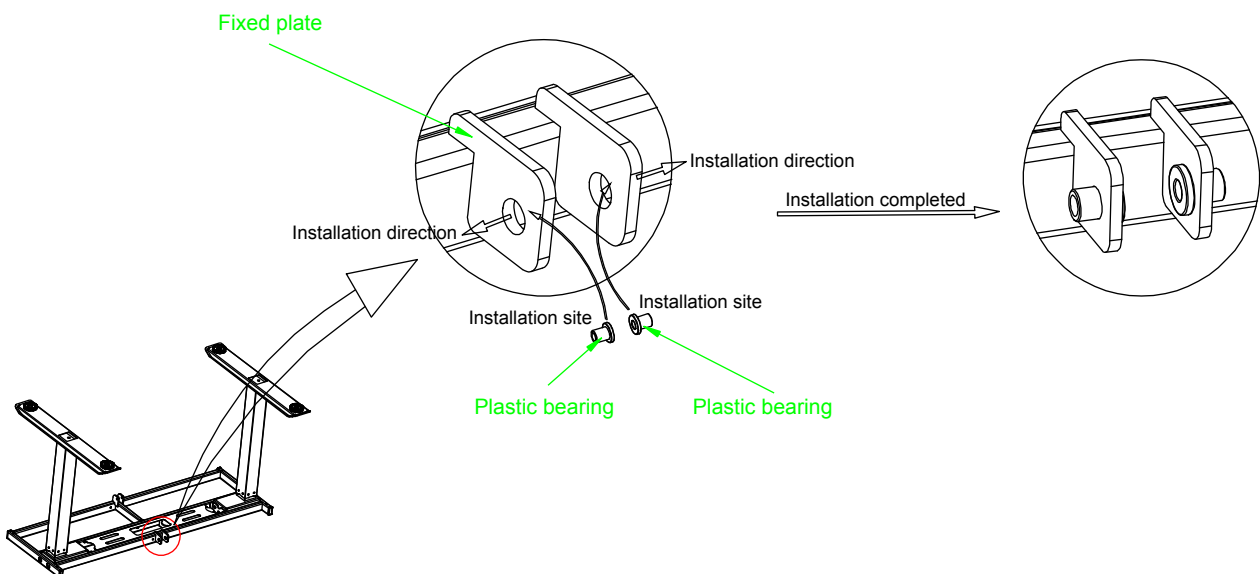
1 Install the leg on the crossbeam using 4 M6*12 screws and 4 M6*10 screws.



2 Install two feet on the each legs using 8 M8*16 screws, then install foot pad on the foot.

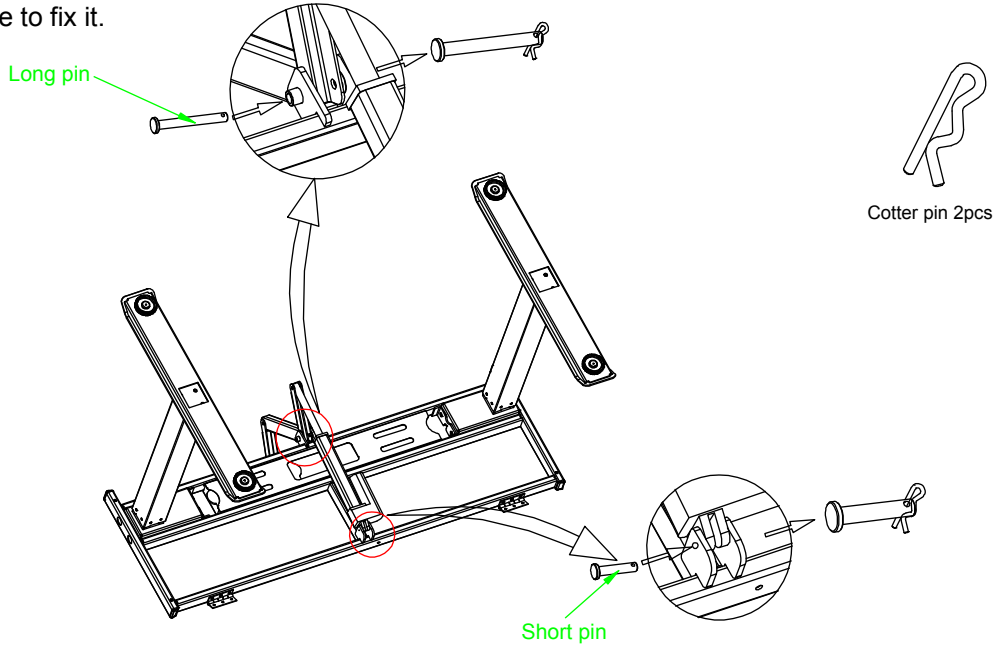


3 Install two plastic bearings on the fixed plate as shown in the diagram.

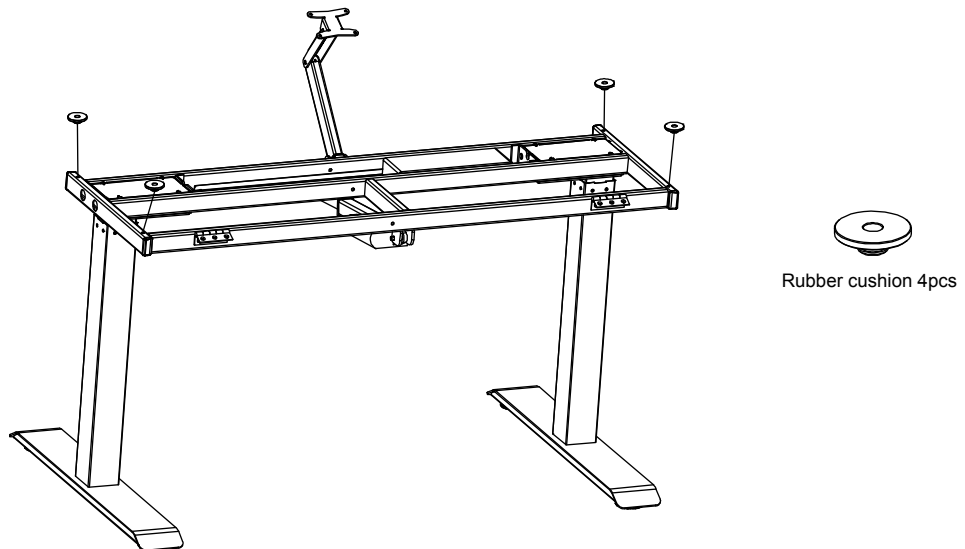


Assembly Instructions

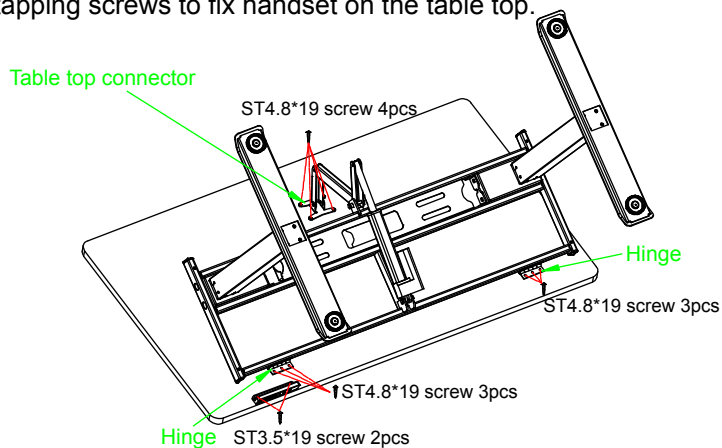
- 4** Install motor and support as shown in the diagram:
1. Install motor and support on the beam (pay attention to the installation direction), insert the short pin from one side, then insert the cotter pin into the short pin hole on the other side to fix it.
 2. Insert the long pin from the side with the plastic piece, then insert the cotter pin into the long pin hole on the other side to fix it.



- 5** Put 4 rubber cushions on the 4 holes of beam.

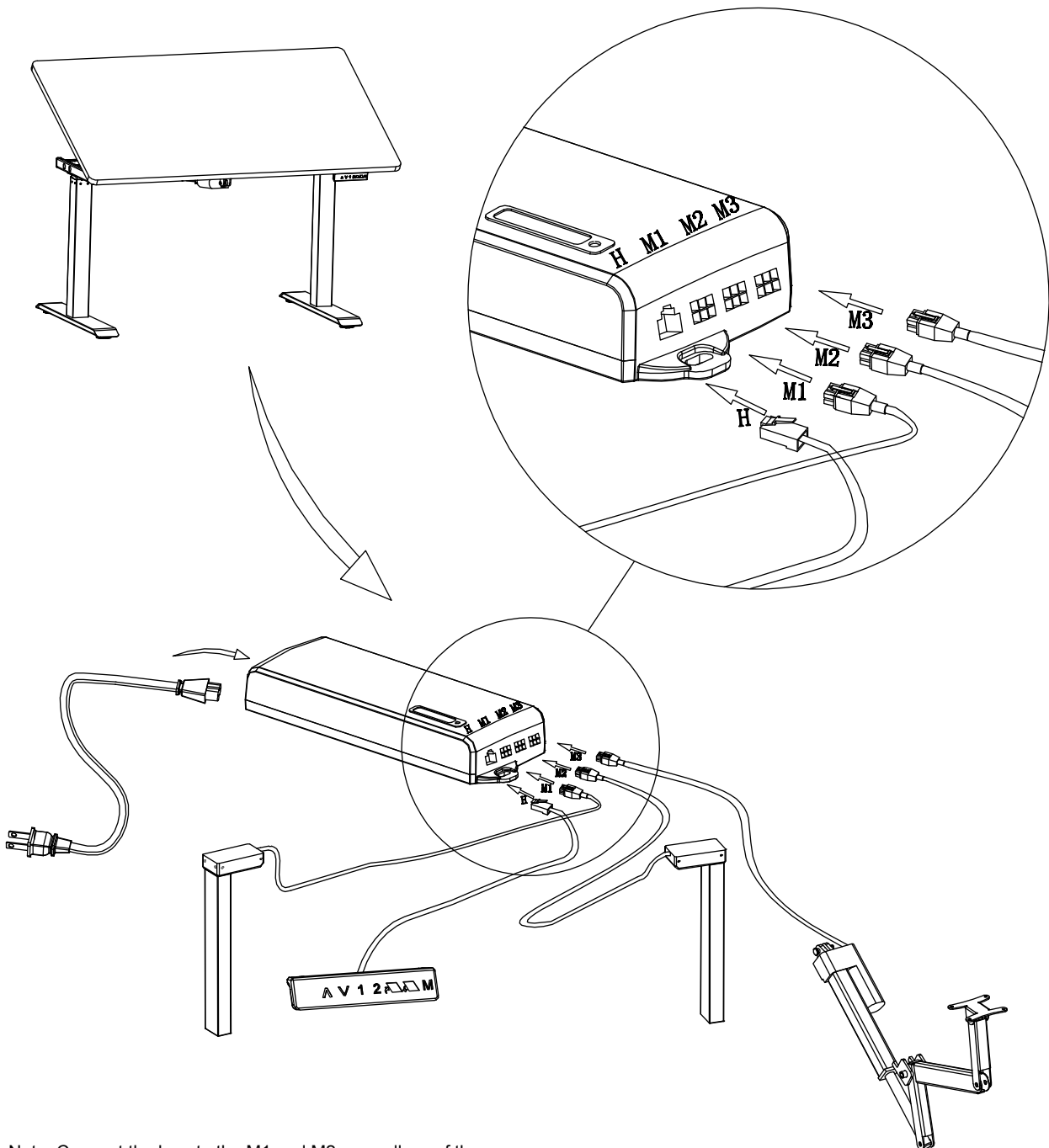


- 6** Use 10 ST4.8*19 self-tapping screws to fix table top connectors and two hinges on the table top, and use 2 ST3.5*19 self-tapping screws to fix handset on the table top.



Assembly Instructions

7 Connect handset, motors, legs and power line to the control box as shown in the diagram.



Note: Connect the legs to the M1 and M2, regardless of the left and right legs. But the motor on the support must be inserted into M3, otherwise, the motor support will not be used normally.